

HurMed

HURMAT
GROUP OF INDUSTRIES

HURMAT
GROUP OF INDUSTRIES
MEDICAL INNOVATION
EQUIPING THE FUTURE OF HEALTH

Manufacturer and Supplier of
Medical Equipments

PRODUCT CATALOGUE



INTRODUCTION

Hurmat Group of Industries is a trusted name in the field of medical equipment manufacturing, with a legacy of quality and innovation that dates back to 1935. Originally founded as Hurmat Surgical Works, the company began as a small-scale manufacturer of surgical instruments and has since grown into a diversified industrial group known for its excellence, reliability, and customer satisfaction.

Today, Hurmat Group of Industries proudly designs and manufactures a wide range of hospital and laboratory equipment, including autoclaves, retort machines, wheelchairs, and stainless-steel medical furniture. With decades of experience and a commitment to technological advancement, the company continues to uphold its mission of providing safe, efficient, and durable healthcare solutions that meet international standards.

At Hurmat Group, we combine traditional craftsmanship with modern engineering, ensuring that every product reflects precision, quality, and care. Our dedication to continuous improvement and client satisfaction makes us a preferred choice among hospitals, laboratories, and healthcare institutions worldwide.

TABLE OF CONTENT

Hospital Ward / ICU Furniture

Hospital Beds

- Semi Fowler Hospital Bed.....page 1
- Fowler Hospital Bedpage 2
- Full Fowler Hospital Bedpage 3
- Electric Hospital Bedpage 4

Bedside Lockers

- Bedside Locker (U-Shape).....page 5
- Bedside Locker (Box Type).....page 5
- Bedside Locker (China Type).....page 5

Over Bed Tables

- Over Bed Table (L-Shape- Powder Coated).....page 5
- Over Bed Table (U Shape - Powder Coated).....page 5
- Over Bed Table (L- Shape Stainless Steel).....page 5

Drip Stand

- Drip Stand (Stainless Steel).....page 6
- Drip Stand (Powder Coated).....page 6

Foot Steps

- Double Foot Step (S.S / Powder Coated).....page 6
- Single Foot Step (S.S / Powder Coated).....page 6

Attendent Bench

- Attendent Bench (Powder Coated).....page 6
- Attendent Bench (Stainless Steel).....page 6

- Ward ScreenPage 7

Treatment & Examination Furniture

Examination Couch

- Examination Couch (S.S / Powder Coated).....page 7
- Examination Couch (with Drawers/ Cabinet).....page 7

Trolleys

- Dressing Trolley (Stainless Steel).....page 7
- Instrument Trolley (Stainless Steel / Powder coated).....page 7

Emergency Trolleys

- Crash Trolleypage 8
- Medicine Trolley.....page 8
- Anesthesia Trolley.....page 8

Operation Theater Furniture / Equipment

Operation Tables

- Operation Table Manual (Stainless Steel).....page 9
- Operation Table Manual (Powder Coated).....page 9
- Operation Table (Electric).....page 9

Traction

- Orthopedic Traction.....page 10

Scrub Units

- Scrub unit Single Tap (Elbow Action).....page 10
- Scrub Unit Double Tap (Elbow Action).....page 10
- Scrub Unit Double Action Automaticpage 10

Delivery Tables

- Delivery Table.....page 11

Stretcher Trolleys

- Stretcher Trolley (Powder Coated).....page 11
- Stretcher Trolley (Stainless Steel).....page 11

Sterlizers / Autoclaves

Autoclave

- Autoclave (10x10).....page 12
- Autoclave (10x20).....page 12
- Autoclave (13x27).....page 12
- Autoclave (16x30).....Page 12
- Autoclave (16x36).....page 13
- Autoclave (18x36).....page 13
- Autoclave (20x40).....page 13
- Autoclave (24x48).....page 13
- Autoclave (30x60).....page 13

Utility & Support Furniture

Waiting Bench

- Waiting Bench (Stainless Steel).....page 14

Patient Stools.....page 14

Doctor Chair / Visitor Chair

- Surgeon Stool Hydraulicpage 14
- Dr Chair Hydraulicpage 14
- Visitor Chairs.....page 14

Wheel Chairs

- Folding Wheel Chair.....page 14
- Fix Wheel Chair.....page 14

NICU Items

- **Baby Warmers**.....page 15
- **Baby Coats**
- Baby Coat (Powder coated).....page 15
- Baby Coat (Stainless Steel).....page 15
- **Baby Incubator**page 15
- **Phototherapy Light**.....page 15

Trolley / Stands

- Diathermy Trolleypage 16
- Ecg trolley.....page 16
- Ultrasound trolley.....page 16
- Linen Trolley.....page 16
- Cleaning Trolley.....page 16
- Mayo Stand.....page 16
- Oxygen Stand.....page 16

Electro-Medical Items

- Ventilators.....page 17
- Anesthesia Machine.....page 17
- OT Lights.....page 17
- Cardiac Monitors.....page 17
- Suction Machine.....page 17
- Examination Light.....page 17
- ECG Machine.....page 17
- CTG Machine.....page 17
- Ultrasoundpage 17
- Diathermy / Cautery.....page 18
- MRI.....page 18
- CT Scanpage 18
- X-ray Machine.....page 18
- Xray View Boxpage 18
- X-Ray Table.....page 18

Semi Fowler Bed



Model : **HUR-100A**

Made : **Pakistan**

Technical Specification

Feature	Specification
Backrest (Head Section) only.	Backrest (Head Section) only.
Operation	Manual (Single Crank System) located at the foot end of the bed.
Adjustable Angle	Backrest tilt is typically adjustable from 0° to 45° (the standard Semi-Fowler position).
Knee Rest	Usually Fixed (not adjustable), as this is a Semi-Fowler bed.

Fowler Hospital Bed



Model : HUR-101A

Made : Pakistan

Technical Specification

Feature	Specification
Cranks	Two (2) Manual Cranks located at the foot end of the bed.
Function 1	Backrest Adjustment (Fowler Position).
Function 2	Knee/Leg Rest Adjustment (Knee Gatch/Thigh Rest).
Backrest Angle	Adjustable 0° upto 75° to 80°
Knee Rest Angle	Adjustable 0° upto 35° to 40°

Full - Fowler Hospital Bed

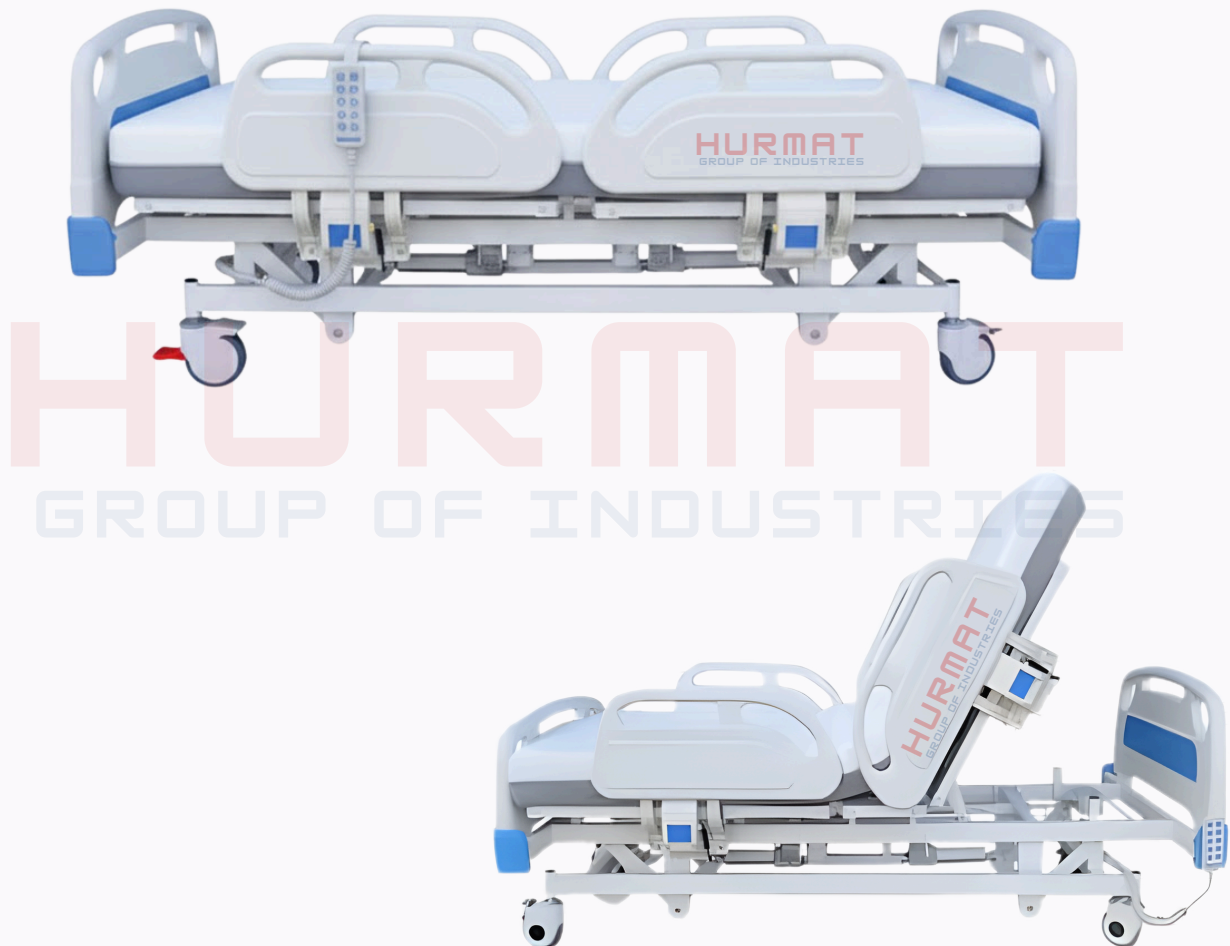


Model : HUR-102A

Made : Pakistan

Technical Specification

Function	Crank Control	Typical Adjustment Range
1. Backrest Elevation	Crank 1	0° (flat) up to 70° – 80°
2. Knee Rest Elevation	Crank 2	0° (flat) up to 35° – 45°
3. Bed Height (Hi-Lo)	Crank 3	450mm - 550mm (min height) to 700mm - 750mm (max height)

Electric / ICU Bed

Model : HUR-103A

Made : Pakistan

Technical Specification

- Electric Adjustments: Head/backrest section, and potentially leg/foot section (though only head adjustment has been demonstrated). This would be controlled by the remote.
- Side Guards: Segmented, collapsible/fold-down side rails for patient safety and easy access.
- Casters/Wheels: Lockable swivel casters for easy movement and secure positioning.
- Head and Foot Boards: Removable (or fixed) for various medical procedures and patient access.
- Mattress Platform: Designed for a standard hospital bed mattress, likely a multi-sectioned one to accommodate the adjustments.

Bedside Lockers



U-Shaped Over Bed Table
Model : HUR-104A



Bedside Locker
Model : HUR-104B



Chinese Bedside Locker
Model : HUR-104C

Over-Bed Tables



Over Bed Table (Powder coated)
Model : HUR-105A



Over Bed Table (Stainless Steel)
Model : HUR-105B



Over Bed Table (Hydraulic)
Model : HUR-105C



Over Bed Table-U Shaped (Powder coated) Fiber Top
Model : HUR-106A



Over Bed Table-U Shaped (Stainless Steel) S.S -Top
Model : HUR-106B



Over Bed Table-U Shaped (Powder Coated) Wooden-Top
Model : HUR-106C

Drip Stands



Standard Drip Stand
Model : HUR-107A



China Type Drip Stand
Model : HUR-107B



Stainless Steel Drip Stand
Model : HUR-107C

Foot-Steps



Foot Step - Single (S.S)
Model : HUR-108A



Foot Step-Double (S.S)
Model : HUR-108B

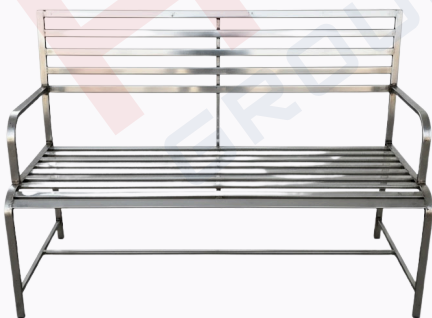


Standard Drip Stand
Model : HUR-108C



Standard Drip Stand
Model : HUR-108D

Attendent Bench



Attendent Bench Stainless Steel
Model : HUR-109A



Attendent Bench Powder Coated
Steel Model : HUR-109B

Ward Screens

Ward Screen / Examination Screen

Ward Screen / Examination Screen

Model : HUR-110A (3 Fold P/C),
110B (3 Fold S.S), 110C (4 Fold-P/C),
110D (4 Fold S.S)

Material :

Powder Coated

Stainless Steel

Variants :

3-Fold / Panels

4-Fold / Panels

Colors :



Examination Couch



Examination Couch Standard
Model : HUR-111A



Examination Couch S.S
Model : HUR-111B

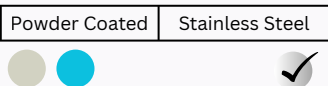


Examination Couch With Drawers
Model : HUR-111C

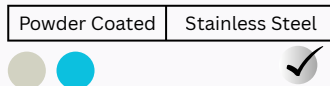
Instrument Trolleys



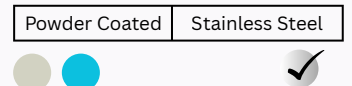
Instrument trolley
Model : HUR-112A



Dressing trolley with Drawers
Model : HUR-112B



Instrument Trolley with Drawers
Model : HUR-112C



Emergency Trolleys

Crash Trolley Emergency Trolley

Ward Screen / Examination Screen
 Model : HUR-113A (Standard)
 HUR-113B (Full Functional)

Material :

- Powder Coated
- Stainless Steel

Variants:

- Standard
- With all Options

Colors :

Drawers	Five Drawers
Central Lock	In all Models
Extra Monitor Shelf	In all Models
Card Holder	Optional
CPR Board	Optional
S.S Top / Handles	In all Models
Wheel Type / Req	Chinese /Local
Drip Rod	In all Models
Bumpers	In all Models
Lenght	26"
Widht	26"
Height	59"



Crash Trolley S.S
 Model : HUR-113C



Anesthesia Trolley
 Model : HUR-113D



Medicine Trolley
 Model : HUR-113E



Emergency Trolley
 Model : HUR-114A



Anesthesia Trolley
 Model : HUR-114B



Medicine Trolley
 Model : HUR-114C

Operation Tables

Five Top General Surgery Operation-Table

Models :

HUR-115A (Five Top with Accessories S.S Table)

HUR-115B (Backolite Tops with Ortho Traction)

HUR-115C (Electric Operation Table)

Accessories

Patient Screen	01
Arm Rest	02
Shoulder Support	02
Body Support	02
Lithotomy Poles	02

Operational Items

Removable Head
Removable Legs Top
Trendlenburg /Reverse Trendlenburg
Lateral Tilt
Hydraulic uplift Min 23" Max 33"



Four Top Operation-Table

Models :

HUR-116A (Four Top with Accessories S.S Table)

HUR-116B (Four Top with Backolite Tops)

HUR-116C (Electric Operation Table)

Accessories

Patient Screen	01
Arm Rest	02
Shoulder Support	02
Body Support	02
Lithotomy Poles	02

Operational Items

Removable Head
Removable Legs Top
Trendlenburg /Reverse Trendlenburg
Lateral Tilt
Hydraulic uplift Min 23" Max 33"



Eye Operation Table

Models :

HUR-117A (Stainless Steel Eye Table)

HUR-117B (Eye Table Without Accessories)

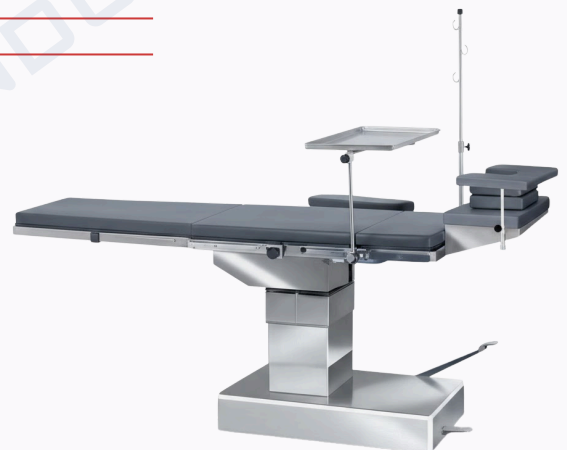
HUR-117C (Electric Operation Table)

Accessories

Mayo Stand	01
Arm Rest	02
Shoulder Support	02
Body Support	02
Drip Rod	01

Operational Items

Removable Head
Removable Mayo Stand
Trendlenburg /Reverse Trendlenburg
Lateral Tilt
Hydraulic uplift Min 20" Max 33"



Veterinary Operating Table

Models :

HUR- 118A

Stainless Steel Vet Operating Table V Shape

HUR-118B

Stainless Steel Straight Top Vet Operating Table



Orthopedic Table with Traction

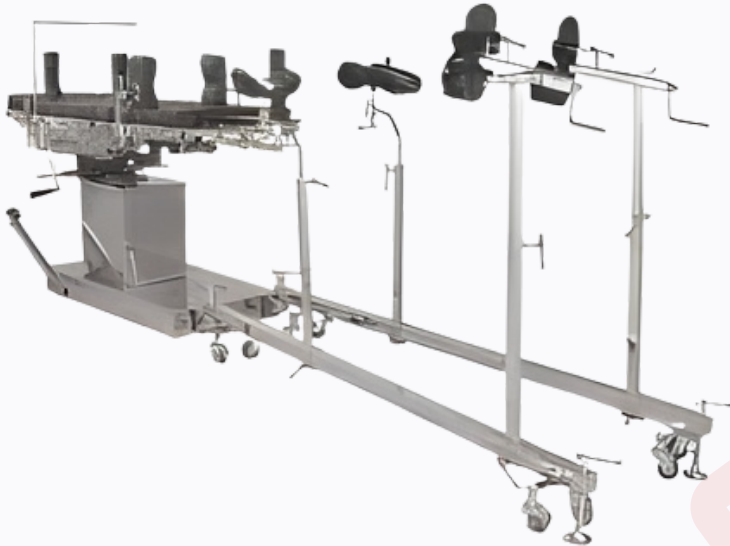
Orthopedic Operation Table

Models :

HUR- 119A

Stainless Steel Heavy Duty
Orthopedic Table With Traction

HUR-119B (Traction with Base)



Scrub Units For Operation Theater

Scrub Unit Double Action

Models :

HUR-120A (Scrub Unit Elbow Action Manual operated)

HUR-120B (Double Action Scrub With Knee Operated)

HUR-120C (Double Action Scrub with Sensor Operated)

Sizes	4x2	5x2	7x2
Soap Dispenser	01		
Grade Quality	S.S(201)	S.S (304)	



Orthopedic Operation Table

Models :

HUR-121A (Scrub Unit Elbow Action Manual operated)

HUR-121B (Single Action Scrub With Knee Operated)

HUR-121C (Single Action Scrub with Sensor Operated)

Sizes	2x2	
Soap Dispenser	01	
Grade Quality	S.S(201)	S.S (304)



Delivery Tables

Delivery Chair

Models :
HUR- 122A
(Delivery Chair)



Delivery Table Hydraulic

Models :
HUR- 122B
Hydraulic Delivery Table



Delivery Table Powder Coated

Models :
HUR- 122C
(Delivery Table M/S)



Delivery Table Stainless Steel

Models :
HUR- 122D
(Delivery Table S.S)



Stretcher Trolleys

Stretcher Trolley Standard

Models :
HUR- 122A (M/S), HUR-122B (S.S)

Removable Top	✓
Frame Quality	18G - Powder Coated /S.S
Wheels	Local 5"



Stretcher Trolley with Cylinder Holder & Side Gaurds

Models :
HUR- 123A (M/S), HUR-123B (S.S)

Removable S.S Top	✓
Frame Quality	18G - S.S / Powder Coated
Wheels	Local 5"
Side Gaurds	If Req/ Optional
Cylinder Holder	If Req / Optional
Drip Rod	If Req /Optional



Stretcher Trolley High/Low

Models :
HUR- 124A (M/S), HUR-124B (S.S)

Removable Top	✓
Frame Quality	18G - Powder Coated
Wheels	Local 5"
High Low Crank & Cylinder Holder	✓
Head Up/Down	✓



Autoclaves / Sterlizers

Lab / Dental Autoclave 10x10 (Single-Drum) 10 Liters

Models :

HUR-125A (Manual), HUR-125B (Semi Auto)

Pressure Tested	15psi
Frame Quality / Vertical	Stainless Steel
Safety Valve	01
Gas And Electric both Operated	Yes
Drum (9x9)	01

Material :

Stainless Steel	<input checked="" type="checkbox"/>
-----------------	-------------------------------------

Variants:

Manual Operating	HUR-125A
Semi Automatic	HUR-125B



Lab / Dental Autoclave 10x20 (Double-Drum) 20Liters

Models :

HUR-126A (Manual), HUR-126B (Semi Auto)

Pressure Tested	15psi
Frame Quality / Vertical	Stainless Steel
Safety Valve	01
Gas And Electric both Operated	Yes
Drum (9x9)	02

Material :

Stainless Steel	<input checked="" type="checkbox"/>
-----------------	-------------------------------------

Variants:

Manual Operating	HUR-126A
Semi Automatic	HUR-126B



Lab / Dental Autoclave 13x27 (Double-Drum) 50Liters

Models :

HUR-127A (Manual), HUR-127B (Semi Auto)

Pressure Tested	20 psi
Frame Quality / Vertical	Stainless Steel
Safety Valve	01
Gas And Electric both Operated	Yes
Drum (12x12)	02
Timer Controller	Optional
Pressure Switch	Optional
Handle Locks	06

Material :

Stainless Steel	<input checked="" type="checkbox"/>
-----------------	-------------------------------------

Variants:

Manual Operating	HUR-127A
Semi Automatic	HUR-127B



Hospital Autoclave 16x30 Single Chamber (Double-Drum) 100Liters

Models :

HUR-128A (Manual), HUR-128B (Semi Auto)

HUR-128C (PLC Control System)

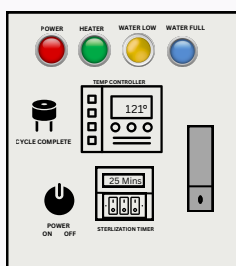
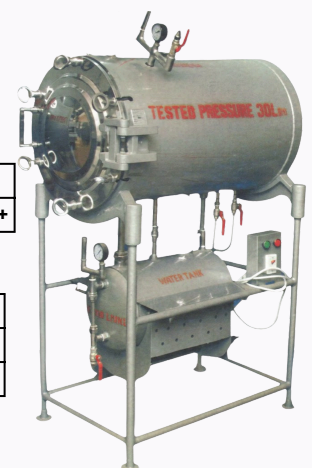
Pressure Tested	30psi
Frame Quality / Horizontal	Stainless Steel
Safety Valve	02
Gas And Electric both Operated	Yes
Drum (12x12)	02
Timer Controller	Optional
Pressure Switch	Optional
Handle Locks	06

Outer-Material :

Powder Coated Body	HUR-128A
ALL S.S Body	HUR-128A+

Variants:

Manual Operating	HUR-128A
Semi Automatic	HUR-127B
PLC Control	HUR-128C



Semi Automatic Box

- Sterlization timer/ Temp Control
- Heater
- Water Low
- Water High
- Cycle Complete



PLC Control System

Autoclave Double Chamber 16x30 100Liters

Models :

- HUR-129A (Manual)
- HUR-129A+ (All S.S incl Outer)
- HUR-129B (Semi Auto System)
- HUR-129C (PLC control System)

Drum 12x12	02
Trays	Optional
Wheels	Optional



Autoclave Single Chamber 16x36 (125Liters)

Models :

- HUR-130A (M/S)
- HUR-130A+ (S.S)
- HUR-130B (Semi Auto)
- HUR-130C (PLC control)

Drum 12x12	03
Trays	Optional
Wheels	Optional



Autoclave Double Chamber 16x36 (125Liters)

Models :

- HUR-131A (M/S)
- HUR-131A+ (S.S)
- HUR-131B (Semi Auto)
- HUR-131C (PLC control)

Drum 12x12	03
Trays	Optional
Wheels	Optional



Autoclave Double Chamber 18x36 (150Liters)

Models :

- HUR-132A (M/S)
- HUR-132A+ (S.S)
- HUR-132B (Semi Auto)
- HUR-132C (PLC control)

Drum 16x16	02
Trays	Optional
Wheels	Optional



Large Sizes Autoclaves

20x40-Single Chamber

Model	HUR-133A
Trays	Optional
Wheels	Optional

20x40-Double Chamber

Model	HUR-133B
Trays	Optional
Wheels	Optional

24x48-Single Chamber

Model	HUR-134A
Trays	Optional
Wheels	Optional

24x48-Double Chamber

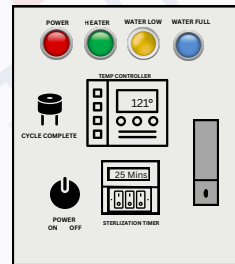
Model	HUR-134B
Trays	Optional
Wheels	Optional

30x60-Single Chamber

Model	HUR-135A
Trays	Optional
Wheels	Optional

30x60-Double Chamber

Model	HUR-135B
Trays	Optional
Wheels	Optional



Autoclave / Sterlizer (Double Door)

Models :

- HUR-136A (Single Door)
- HUR-136B (Double Door)

PLC system
Lever Handle Door
Vaccum Pump
Air Pump



Autoclave / Sterlizer (Sliding Door)

Models :

- HUR-137A (Single Door)
- HUR-137B (Double Door)

PLC system
Sliding Door
Vaccum Pump
Air Pump



Waiting Area Bench

Waiting Area Bench Stainless Steel 4 Seater

Models :
HUR-138A (S.S Bench)

Stainless Steel



Waiting Area Bench Stainless Steel 5 Seater

Models :
HUR-138B (S.S Bench)

Stainless Steel



Patient Stools



Patient Stool Powder Coated
Model : HUR-139A



Patient Stool Stainless Steel
Model : HUR-139B



Patient Stool Hydraulic
Model : HUR-139B



Doctor Chair / Surgeon Stool



Surgeon Stool Abs Back-Rest
Model : HUR-140A



Surgeon Stool with Back Support
Model : HUR-140A



Dr.Chair China
Model : HUR-140A



Wheel Chairs



Folding Wheel Chair
Model : HUR-140A



Folding Wheel Chair Chrome
Model : HUR-140B



Fix Wheel Chair M/S
Model : HUR-140C



Baby Warmers

Baby Warmer Simple

Models :

- HUR-141A (Simple)
- HUR-141B (With All Accessories)
- HUR-141C (Full Functional)

Temp-Control
Quartz Heater
Monitor Tray
Phototherapy Rod Holder
Matress for Baby Bed
Drawer
Cabinet
4" Local Wheels



Colors :

Baby Warmer Plus Version

Models :

- HUR-142A (Servo)
- HUR-142B (with Suction)
- HUR-142C (with O2 Regulator & Suction)

Servo
Ceramic Heater
Monitor Tray
Phototherapy Rod Holder
Matress for Baby Bed
Drawer
O2 And Suction
5" China Castors



Colors :

Baby Coat



Baby Coat M/S
Model : HUR-143A



Baby Coat with Storage Cabin
Model : HUR-143B



Baby Coat Stainless Steel
Model : HUR-143C

Incubator / Phototherapy Light

Baby Incubator

Models :

- HUR-144A (Local Incubator)
- HUR-144B (China Incubator)



Phototherapy Light

Models :

- HUR-145A (Led Phototherapy)
- HUR-145B (Phototherapy Rods)



Trolleys / Stands



Diathermy Trolley
Model : HUR-146A



ECG Trolley
Model : HUR-146B



Ultrasound Trolley
Model : HUR-146C



Linen Trolley S.S
Model : HUR-147A



Cleaning Trolley S.S
Model : HUR-147B



Transport Trolley S.S
Model : HUR-147C



Mobile-Linen Trolley S.S
Model : HUR-147D



Mayo Stand
Model : HUR-148A



Oxygen Cylinder Stand
Model : HUR-148B



Electromedical Equipments



Ventilator
Model : HUR-149



Anesthesia Machine
Model : HUR-150



Ultr-Sound Machine
Model : HUR-151



Suction Machine
Model : HUR-152



Examination Light
Model : HUR-153



OT Light
Model : HUR-154



ECG Machine
Model : HUR-155



Patient Monitor
Model : HUR-156



CTG Machine
Model : HUR-157

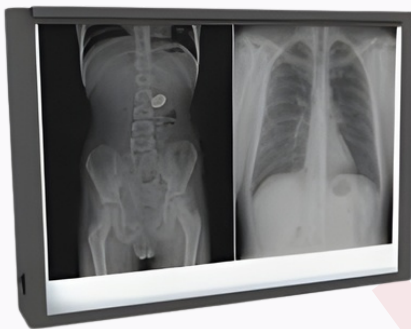
Electromedical Equipments



**Diathermy Machine
Model : HUR-158**



**MRI Machine
Model : HUR-159**



**Xray View Box
Model : HUR-160**



**Xray Table
Model : HUR-161**



**X-Ray Machine
Model : HUR-159**

HURMAT

GROUP OF INDUSTRIES

**Manufacturer Suppliers, Exporter &
Importer of Surgical Equipments**

Head Office

**35-A Ahmed Hassan Road ,Near Harbanspura Lahore
Pakistan, 54000**

Factory

**34-A Ahmed Hassan Road ,Near Harbanspura Lahore
Pakistan, 54000**

Contact Us

Sales-03004649441 Technical Support-03004649445

Email

hurmatindustries@gmail.com

